

To: Distributors  
 Attn: To Whom It May Concern  
 Date: December 8, 2022

Dear PISCO Distributors,

## Design change of filter elements for mist filters and micromist filters

We would like to express our sincere gratitude for your continued support

We announce the following design changes of filter elements and element sets for our mist filters and micromist filters.

We apologize for any inconvenience this may cause our customers, and thank you for your understanding.

Best regards,

### 1. Subject model

	Stand-alone type	Filter and Regulator Combination Unit	Dry Unit
Mist filter	FTD300-□-□D	UADR300-□-□D、UAD300-□-□D	FBDR□-□-□D、FBD□-□-□D
Micromist filter	FTM300-□-□D	UAMR300-□-□D、UAM300-□-□D	FMDR□-□-□D、FMD□-□-□D

\*For filter/regulator units and dry units, a mist filter (FTD) or micro mist filter (FTM) is built into the unit.

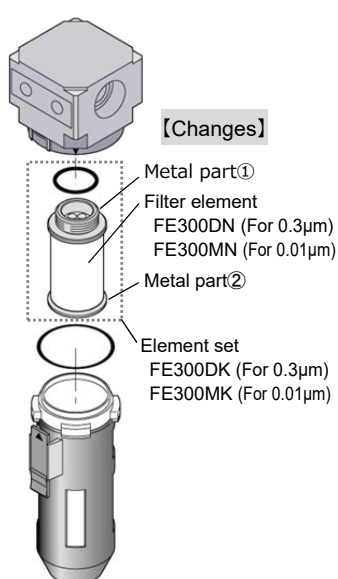
### 2. Changes

- Elimination of adhesive for filter elements.
- Design change of element set metal parts.

Reason: Adhesive contains substances regulated by REACH.

\*The new filter element unit is not compatible with the current element set. (Possible leakage may occur.)

All customers who purchased a mist filter or micromist filter before February 28, 2023 must purchase a filter element set for initial filter element replacement on or after March 1, 2023.



		Current design		New design	
		With groove		Without groove	
Metal part ①	②				
		Adhesive: Applied		Adhesive: Not applied	
Filter element		For mist filters (For 0.3µm)	For micromist filters (For 0.01µm)	For mist filters (For 0.3µm)	For micromist filters (For 0.01µm)
		FE300DN	FE300MN	FE300DN	FE300MN

**Note: New and current model cannot be used in combination.**

\*No change in price or specifications.

3. Effective date

**The change will be effective from orders received on March 1, 2023.**

Please make inquiries to following sales office.

Overseas Sales Department

TEL : +81 -(0)265 76 7751 FAX :+81 -(0)265 76 3305

E-mail: [intl@pisco.co.jp](mailto:intl@pisco.co.jp)

URL: <https://www.pisco.co.jp/en/>